

***HDFocus* Specification**

Interactive Whiteboard

55" Interactive Whiteboard

HD-55I-T Dual OS

1. Product Outlook



2. Main Features

- ◆ Excellent slim design with aluminum alloy edging, matte grey and black color;
- ◆ Ultra high 4K resolution and new original panel with TFT LED backlight;
- ◆ Sensitive 20 points IR touch;
- ◆ Built in professional Anti-Glare glass;
- ◆ Built in wireless projection and reverse touch control, support mobile and PC;
- ◆ EShare wireless transmitter for wireless projection, plug and play (optional);
- ◆ Windows PC can support Webcast function, PC can install one Eshare software, then can wireless project screen to interactive whiteboard screen, and can reverse touch control;
- ◆ Dual OS: Android OS and Windows OS available;
- ◆ Built in professional OPS computer, can customize CPU, RAM and storage(optional);
- ◆ Built in professional whiteboard software, full 4K resolution user interface and GIF icons;
- ◆ Built in annotation function, can annotate on both Android and Windows OS, support QR scanning to download to mobile phone;
- ◆ Magnetic touch pen can be absorbed on the board's front frame;
- ◆ VC module: 48M pixels camera or 48M pixels motion and audio tracking camera with 8 sound arrays system (optional);
- ◆ CE,ROHS, TELEC, PSE, FCC, HDMI and ENERGY STAR certified;
- ◆ ISO9001 and ISO14001 certified.

3. Display

Display Screen	55"
Panel back light	TFT-LCD Module with DLED backlight
Panel Protection	Anti-Glare glass
Hardness	7H
Aspect Ratio	16:9
Color	16.7M colors (8 bit)
Display area	1208.6*677.9mm
Resolution	3840*2160
Brightness	350cd/m2
Contrast	1400:1
Response Time	8ms
View Angle	178° left and right, up and down
Life	Over 60,000 hours

4. IR Touch

Touch Type	Infra-red
Points	20 points
Response Time	Less than 5ms
Resolution	32767 * 32767
Position Accuracy	±1mm
Communication	USB2.0
Touch Way	Pen, Finger or other light-proof items
Life Time	Over 60,000,000 touches

5. Dual OS Configuration:

Android Configuration

CPU	Quad-core ARM Cortex-A55
GPU	Mali-G52 MP2(2EE)
RAM	4GB/8GB DDR4 (optional)
ROM	32G/128GB EMMC (optional)
WIFI	IEEE802.11an 2.4/5 GHz
Hotspot	IEEE802.11 a/b/g/n Dual Band 2.4GHz/5 GHz
RJ45 Network	10/100/1000M auto-identification and DHCP
Bluetooth	Support, can receive signal up to 12M.
Android OS	Android 11.0 and above

Windows OPS Configuration (OPTIONAL)

Client can choose from the Pro, Max or Maxplus version for the OPS, we also can customize other configurations, pls check with sales separately.

Sky Lake-S 6th Gen processors	I3-6 th Ge.	I5-6 th Ge.	I7-6 th Ge.
DDR4/RAM	4G/8G/16G/32G/64G (Optional)		
Hard disk/SSD	SSD 128G/256G /512G/1TB (HDD 1TB Optional)		
Graphics card	Intel® HD Graphics card 530 integrated		
WIFI & BT	IEEE802.11an 2.4GHz+5G, BT4.2		
Windows OS	Windows 8.1/10/11 trial version, Linux		

6. Input/output Interface

Android I/O Interface

Front Port	USB*3
	HDMI IN*1
	TOUCH*1
	TYPE-C*1
Rear Input Port	USB*3
	Type C *1
	HDMI IN*2
	RS232*1
	RJ45 IN*1
	VGA IN*1
	PC Audio IN*1
	DP IN*1
TF card slot*1	
Rear Output Port	HDMI OUT*1
	RJ45 OUT*1
	Touch OUT*1
	Earphone*1
	Optical OUT*1
Bluetooth/WIFI	1x 2.4G built-in module,1x 5G built-in module
	Bluetooth5.0*1

Windows OPS I/O Interface, based on 6th Generation OPS (Only available with OPS built in, for customized OPS, the I/O interfaces are different)

DP Output	DP*1
HDMI Output	HDMI*1
MIC IN	MIC*1
RJ45 Port	RJ45*1
USB Port	USB 2.0*2, USB 3.0*4
Type-C	Type-C*1
LINE-OUT	LINE-OUT*1
Power	Power*1
Restore	Restore*1

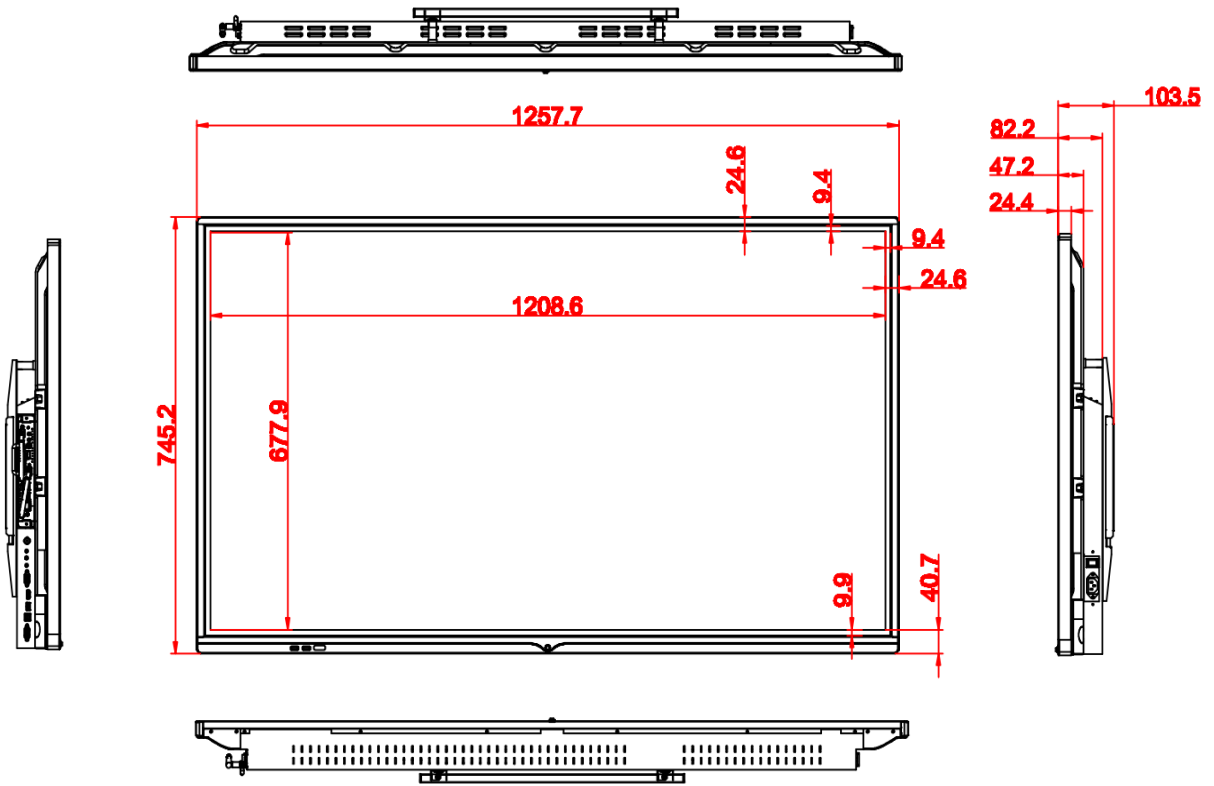
7. Accessories

Remote Controller	Remote controller*1
Wall Mount Racker	Racker*1
Touch Pen	Free Touch Pen*2
User Manual	User Manual*1
Power cable	Power cable*1

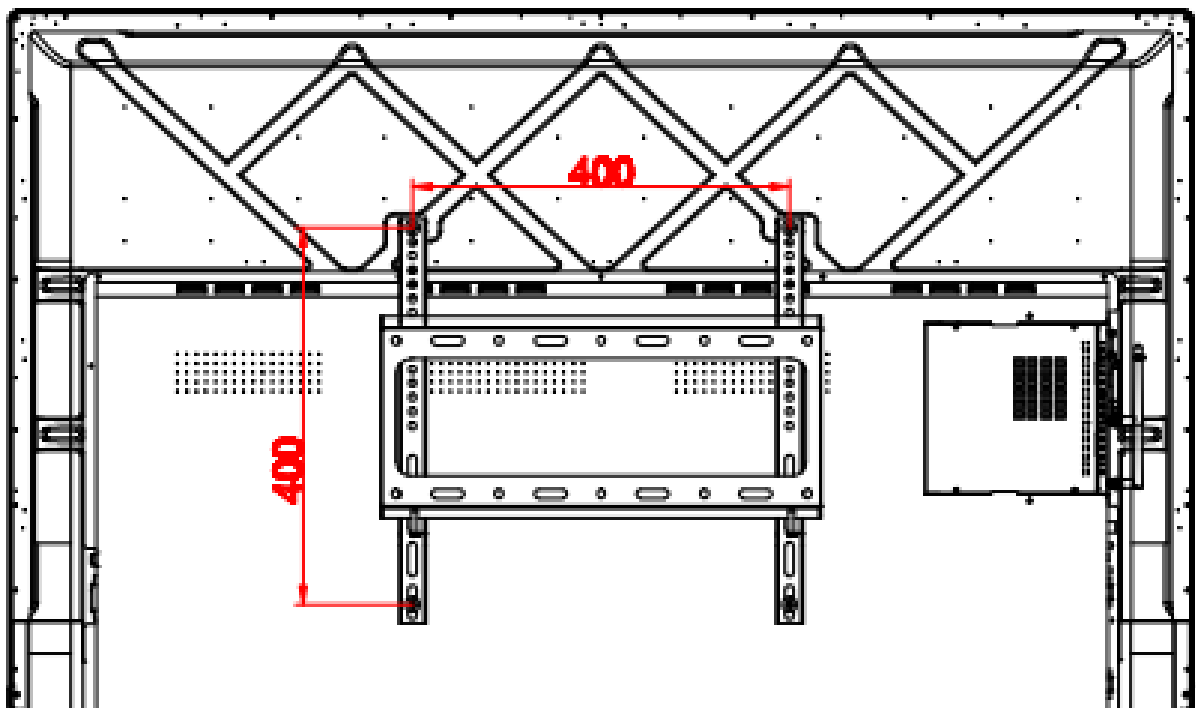
8. Others

Net Dimension	1257.7*745.2*103.5mm
Package Dimension	1366.6*185*891.5mm
Net Weight	23.5KG
Gross Weight	30.5KG
Speaker	2*15W speakers (Front)
VESA	400*400mm
Color	Matte gran and Black
Voltage	100 V ~ 240 V, 50-60 Hz
Power	≤ 120W
Working Temperature	-10 - 55 °C

9. Detailed Dimension Drawing

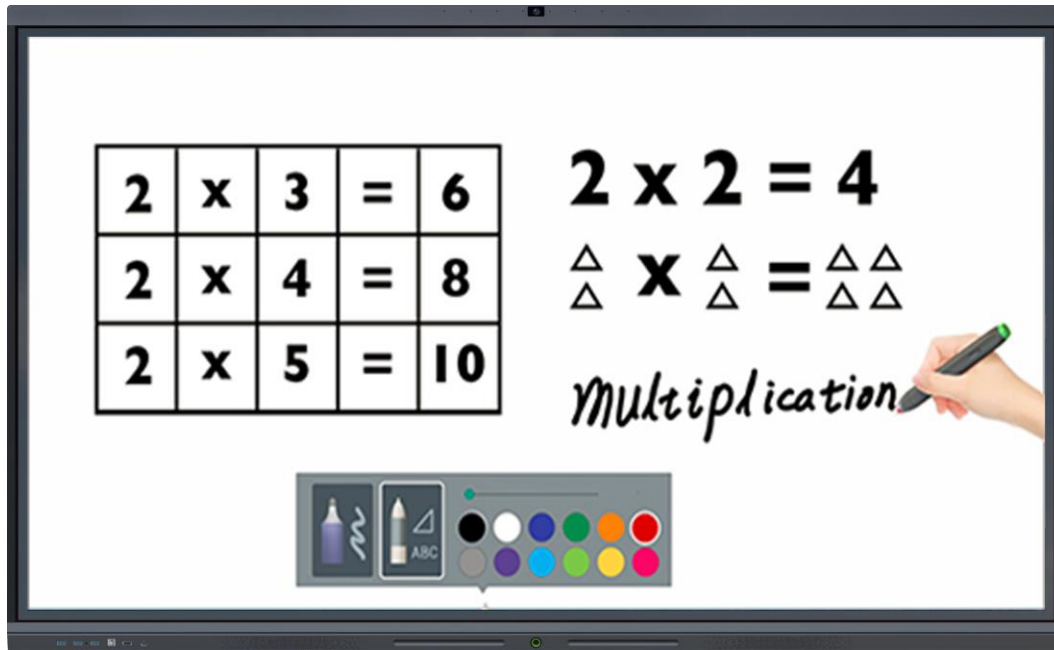


Front and Side



Back

10. White Board Software



Main features:

- Professional whiteboard software and wireless sharing software under Android OS;
- It supports gesture recognition, supports three fingers touch can call floating menu following, five fingers touch can call power on/off screen; and can be recognized as pen and erasing function by changing the touch area. It also supports erasing while writing;
- Support mobile phone wireless project, and reverse control;
- Built in eraser function, support hand gesture erasing;
- Annotation function, can annotate on both Android and Windows OS, and the annotation content support QR scanning to download to mobile phone or can be saved locally in the interactive whiteboard;
- QR code sharing, can download the content by QR scanning directly;
- Recording both the audio and pictures in MP4 format; Support wireless projection function, both mobile and PC;
- It supports the intelligent U disk lock function, the whole machine can be set to touch and key lock;
- Intelligent character recognition of the hand writing words and change to the standard English fonts, and support Google search the the hand writing words through web browser by opening a new window;
- Support half screen mode, pull down the upper part of the Windows display screen to the lower part of the display screen, and you can still operate the Windows system normally by touching.

11. EShare Wireless Transmitter (OPTIONAL)

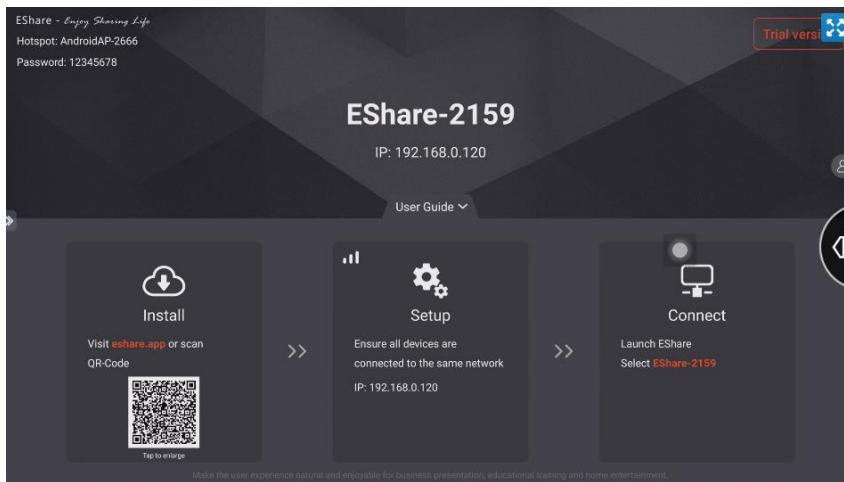


Model: HDT1

- ◆ Wireless projection, support project the PC signal to the interactive whiteboard, and reverse control;
- ◆ Featured with ultra-low power consumption;
- ◆ Classic design with plastic case and LED lighting;
- ◆ Plug and play, no more software need to install;
- ◆ Support dual band of 2.4G&5.8G, more stable and fast transfer;
- ◆ Transfer audio and video up to 1080P resolution and 30FPS.

Detailed Specification	
Interface	USB2.0 (5V/500mA)
Supported OS	Windows 7 and above, macOS 10.10 and above
PC Minimum Spec	Frequency: 1.8GHz and above; RAM: 2G and above
Input Resolution	Input resolution support up to 3840*2160
Project Resolution	1080P@25~30fps
Audio Transfer	44.1KHz/16bit, stereo audio
Wireless Project	Plug and play, auto run, no need to install any software
Wireless Protocol	IEEE 802.11ac / 802.11n
Wireless Band	2.4G&5.8G
Wireless Distance	Maximum 35M
Transmission Delay	Less than 50ms
Reverse Touch Control	Reverse touch control, maximum support 10 points touch
Extended Screen Transfer	Windows 10 PC can wireless transfer extend screen

EShare Wireless Solution Control Software

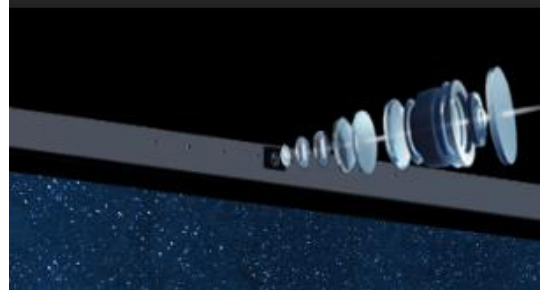


Control Software Main Features

File Push Function	Support push picture, video, audio and Office file to locally display
File upload function	Upload any files wirelessly to the interactive whiteboard, users can download this file and display in the screen
Intelligent control	Intelligent control function: Wireless Touch Mouse, air mouse, Wireless keyboard Voice Handwriting input, Wireless Touchpad, Remote control for common keys(Home Menu Back Vol+/-...etc.)
Wireless camera	Support wireless camera
Annotation	Mobile phone and Windows PC can do wireless annotation to the interactive whiteboard screen.
TV Mirror	The interactive whiteboard screen can be shared to a mobile device wirelessly, and this mobile device can reverse touch control interactive whiteboard screen simultaneously
Split Screen Display	Can wireless project 9 mobile devices signals to the interactive whiteboard screen with 9 split screens display
Moderator Control	The moderator can control the permissions of the client devices, such as screen transfer, reverse screen transfer, touch, annotation and exclusive screen display
Airplay	Compatible with AirPlay protocol, any iOS devices can use AirPlay function to wireless project screen without install any APP
DLNA Protocol	Compatible with DLNA protocol, any App which support DLNA protocol can wireless project screen to the interactive whiteboard screen
iOS Project	iOS devices can wireless project screen to interactive whiteboard screen, and can reverse touch control the iOS devices through the interactive whiteboard screen
Android Project	Android OS devices can wireless project screen to interactive whiteboard screen, and can reverse touch control the Android OS devices through the interactive whiteboard screen
Extended Screen Project	Wireless Dongle terminal can do extended screen wireless transfer for the Windows 10 devices
Screen Group Display	Support the simultaneous transmission of one single signal to multiple interactive whiteboard screens for synchronous display with the wireless receiver product

12. VC Module(OPTIONAL)

VC module is use together with video conference software, such as ZOOM

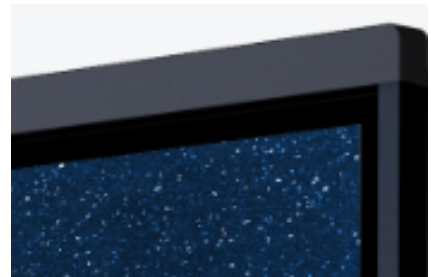


Camera1	48M pixels
Camera2	48M pixels motion and audio tracking camera(optional)
Number of Arrays	8 microphone sound arrays system
Noise Cancellation	Support noise cancellation
Voice Pickup range	Up to 10M

13. Product Details Pictures



Super slime design



Arc shape 0 bezel



Two Front Speakers




3-in-1 Button Key

14. Floorstanding Rack (OPTIONAL)

We offer free Wall Mounted Rack as free accessories.



Model	0817
Support Size	55",65",75",85",86"



Shenzhen HDFocus Technology Co., Ltd

Add: 5th Floor, 51 Building, Bantian No. 3 Industrial Park, Bantian Community, Bantian Street,
Longgang, Shenzhen, China 518129
T: 008675585204829

Web: www.hd-focus.com